



© Ralph Larmann



Main benefits

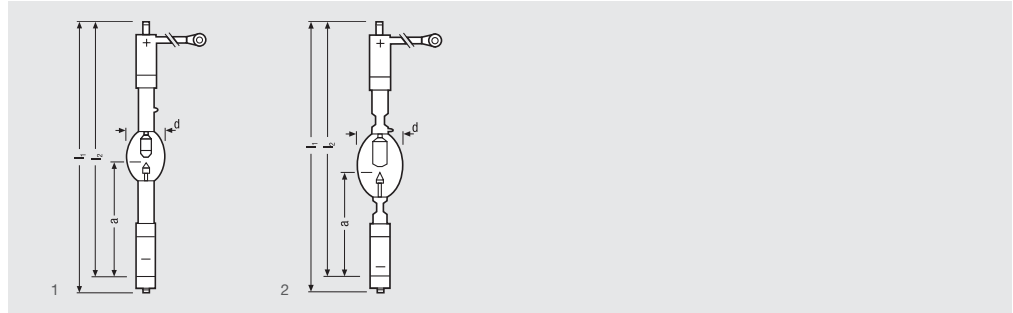
- Xenon short arc lamps for event and archtainment lighting
- Shortened arc gap yields higher luminance
- Robust base for improved stability
- Optimized compact design
- Waterproof outdoor packaging
- Daylight color temperature 6000K
- Available in four wattages: 2000W, 3000W, 4000W, 7000W
- Hot restart
- Dimmable

Light is brightness OSRAM Xstage®

The XBO® outdoor specialist for brilliant entertainment: bright, compact and robust.

Light is OSRAM

OSRAM



OSRAM Xstage®

	Xstage 2000W OFR	Xstage 3000W OFR	Xstage 4000W OFR	Xstage 7000W OFR
Lamp voltage (V)	23	30	30	40
Rated current (A)	90	100	130	160
Current control range (A)	70–110	70–110	80–135	110–165
Luminous flux (lm)	80000	140000	150000	330000
Luminous intensity (cd)	9000	13500	17000	33000
Average luminance (cd/cm ²)	170000	200000	120000	120000
Electrode gap cold (mm)	3.5	4.5	6.0	8.0
Max. length l ₁ (mm)	300	300	315	405
Length l ₂ (mm)	262	262	277	354
Distance a in mm (LCL)	120	120	120	162.5
Bulb diameter d (mm)	46.5	55	60	70
Average rated life (hrs)	650	650	650	650
Illustration no.	1	1	1	2
Product Number	69482	69483	69484	69485
Base Anode	SFaX27-9.5	SFaX27-9.5	SFaX27-9.5	SFaX27-9.5
Base Cathode	SFc28-27/20	SFc28-27/20	SFc28-27/20	SFc28-27/20



With Xstage, OSRAM has developed a new lamp line especially suited for event and architectural lighting. Based on their highly recognized XBO® lamp series, these new xenon short arc lamps are optimized for outdoor use. In order to facilitate safe installation for field applications, the robust base provides more stability. Additionally, the shortened arc gap allows for more luminance and, therefore, increased brightness. Xstage is intended to be used in fixtures with screw-in sockets. Just like the XBO lamp series, they allow a hot restart and have the daylight color temperature of 6000K. Due to its inner pressure, the lamp comes in new, more durable outdoor packaging.

OSRAM

Americas Headquarters
 OSRAM SYLVANIA Inc.
 200 Ballardvale Street
 Wilmington, MA 01887 USA
 Phone 1-978-570-3000
 www.osram.us

OSRAM

Professional and Industrial Applications
 Specialty Lighting
 OSRAM SYLVANIA Inc.
 129 Portsmouth Avenue
 Exeter, NH 03833
 United States: 888-677-2627
 Canada: 800-729-3777
 Mexico: 525-899-1807

OSRAM, Xstage and XBO are registered trademarks of OSRAM GmbH. All other trademarks are property of their respective owners.

© 2017 OSRAM SYLVANIA Inc.

